

HIWATT

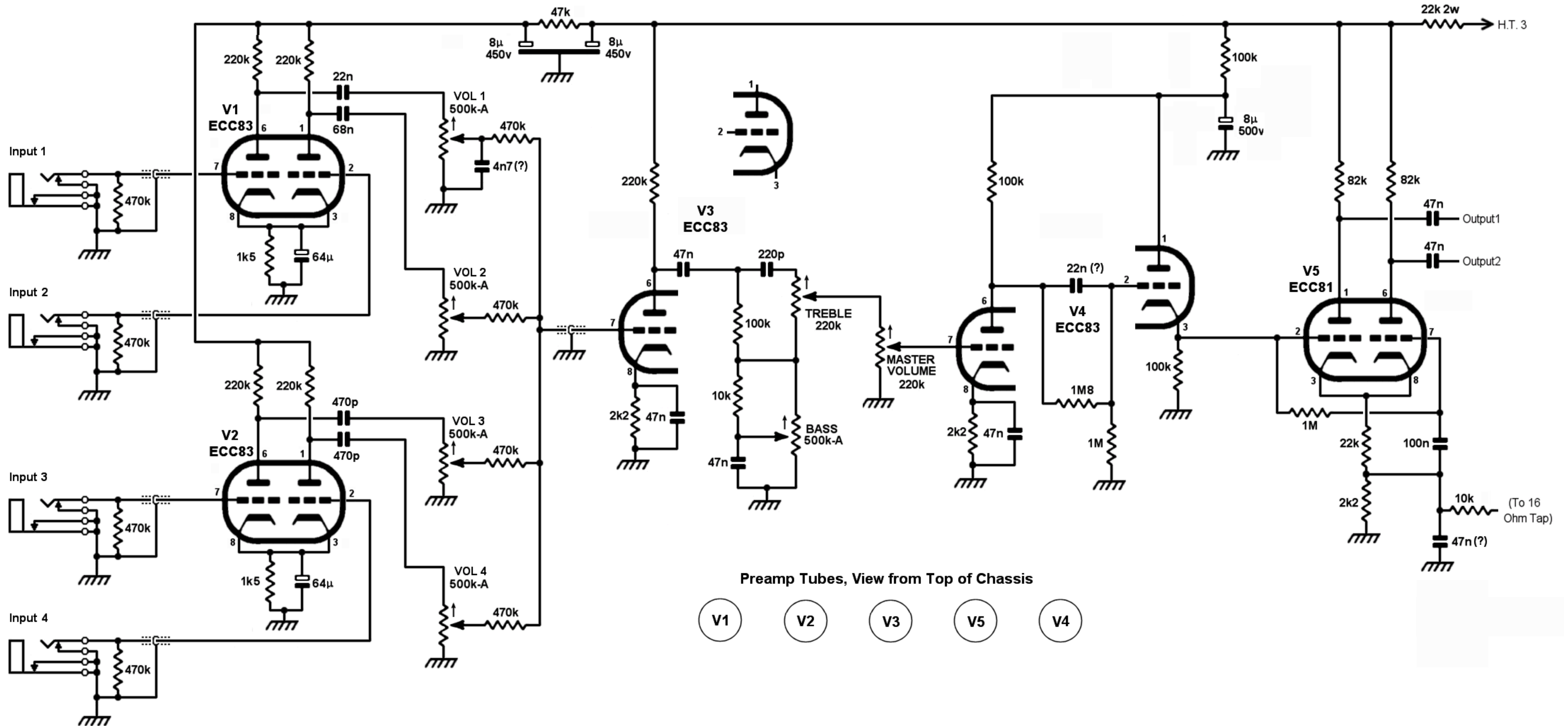
Sound City Hiwatt Lead 105

S/N 223

Drawing rev. 1.1 - Mark Huss
Info courtesy of Chris M.

Key Diffs

- Four Input Stages and Volumes (each voiced differently)
- No Middle Control
- No Presence Control
- Totally Different Tone Circuit



Preamp Tubes, View from Top of Chassis

