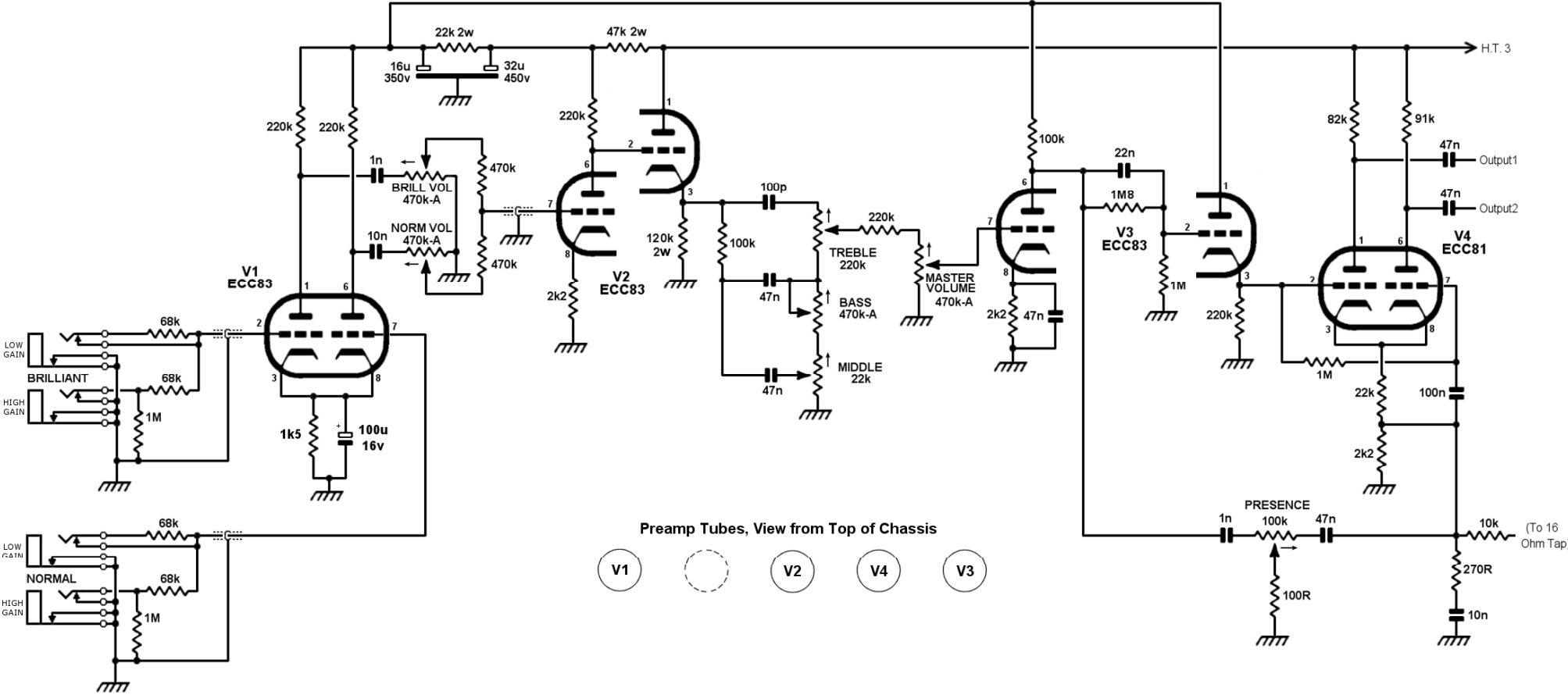


# HIWATT

## Late 60s Four-Input Preamp

Preamp from DR103 S/N 903  
Drawing rev. 1.0 - Mark Huss



Preamp Tubes, View from Top of Chassis

