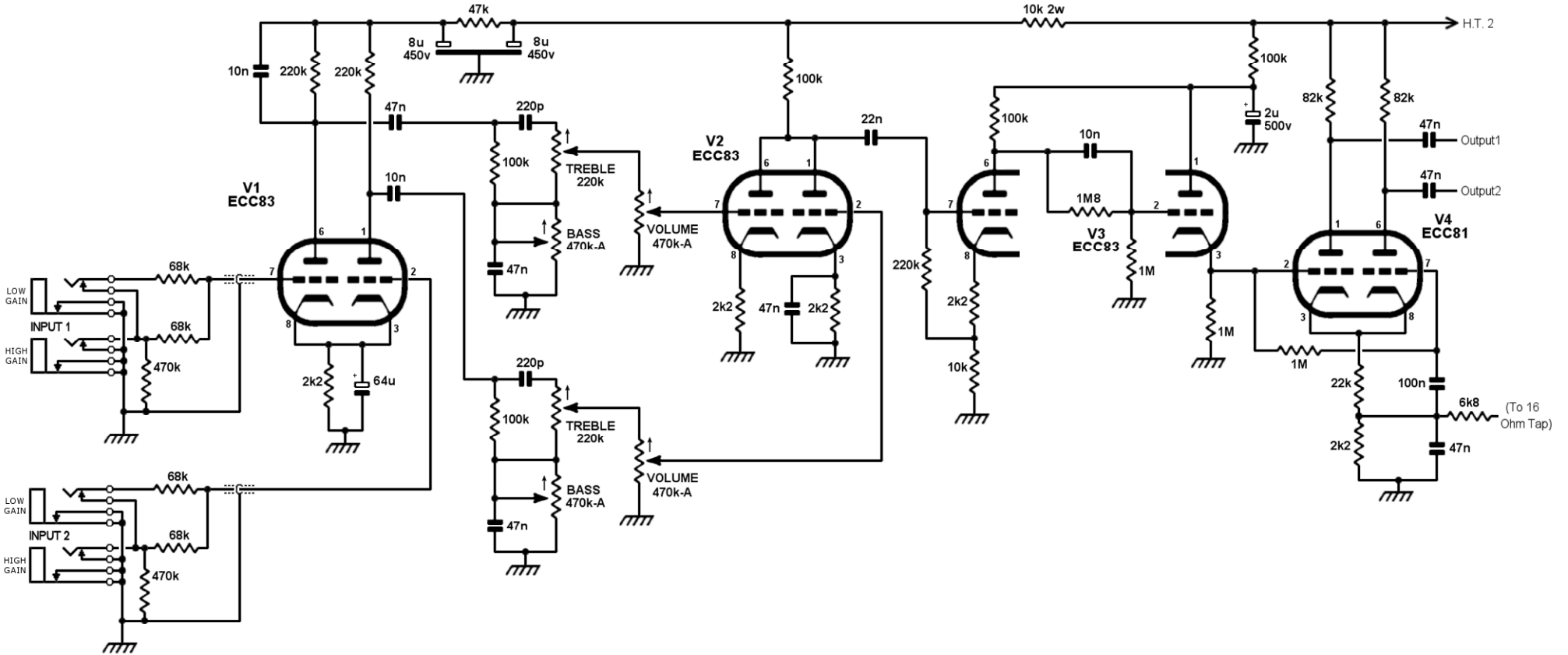


HIWATT

DR506 Bass Preamp

Drawing rev. 1.0 - Mark Huss
 (Reverse engineering by Stuart Castledine)



Preamp Tubes, View from Top of Chassis

